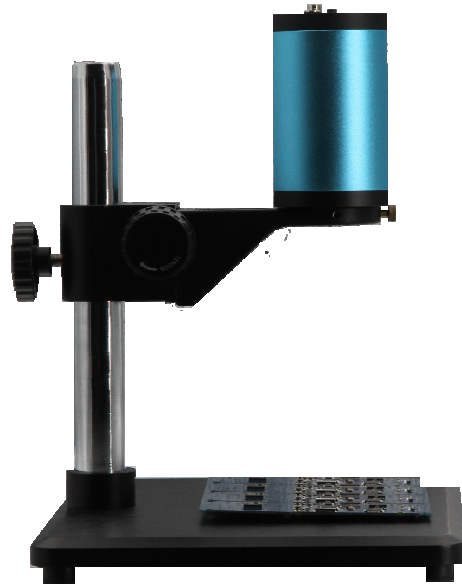


All-in-one Autofocus Microscope User Manual V1.1

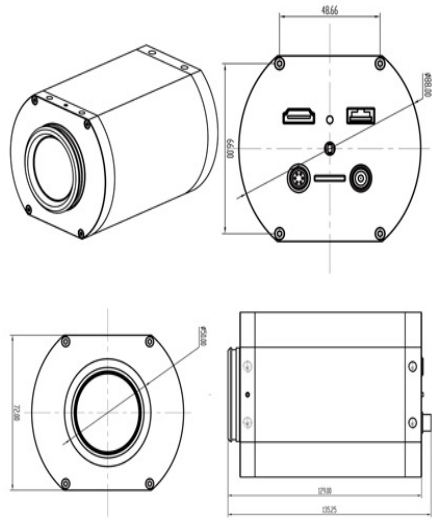


Eert Electronics BV

Rotterdam, the Netherlands

www.eertelectronics.nl

Physical Dimension :



Camera interface introduction



Menu Functions :



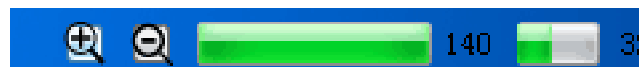
The lower right corner of the monitor displays magnification.

Mouse click zoom / Zoom out icon to change magnification;

The optical magnification is 1-14, reaching the maximum and then changing to digital amplification.



As shown in the picture above, it represents 12 times of the optical magnification.



As shown in the picture above, it represents an optical magnification of 14 times and a digital magnification of 3.2 times.

Control | Cross curve | System

Focus mode

Focus position

MCF+
MCF-

Automatic focusing
One key focus
Manual focusing

Exposure mode

Brightness 56

Gain 1

Automatic exposure
Manual exposure

White balance

Red 4095

Green 4095

Blue 4095

Automatic white balance
Manual white balance

Function

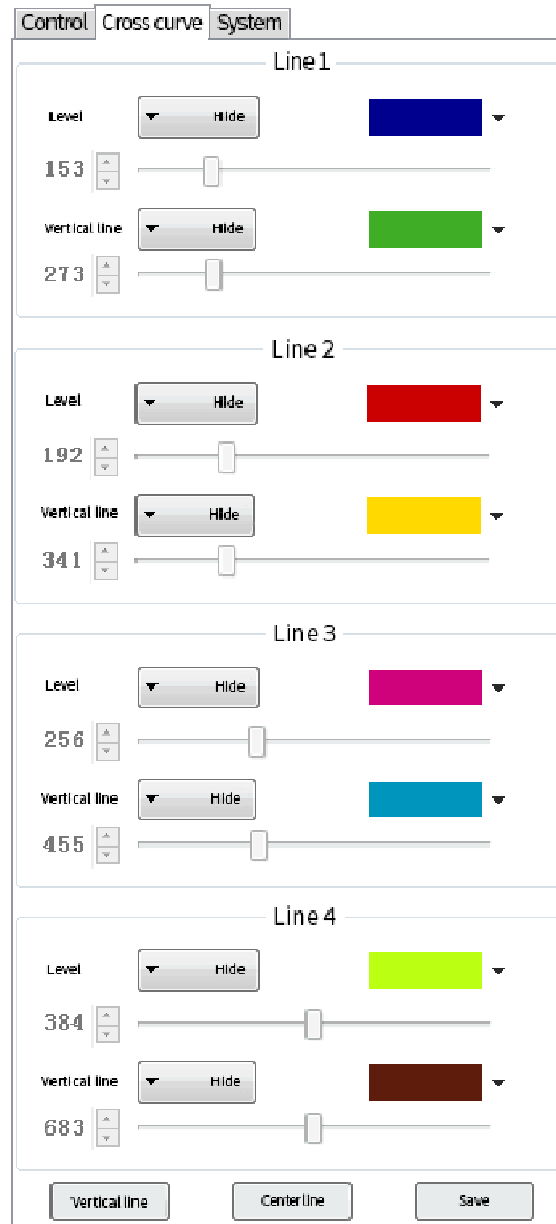
Zoom 0

Save Image
Video
 Ezoom

Convert
 Flip
1

Reset
 50/60 HZ

1. when you select "manual focus", you can adjust the "focus position".
- 2., when selecting "auto exposure", the brightness can be adjusted.
- When you select "manual exposure", you can adjust the "gain".
3. when you choose "manual white balance", you can adjust the "red green blue" color value.
4. when selecting "Ezoom", zoom (optical amplification / digital amplification) can be adjusted.
5. when selecting "save image", the icon appears in the center of the screen and is automatically saved to TF card, in the form of jpg.
6. when the "video" is selected, the Rec icon begins at the bottom right of the screen and begins to videotape. Again, click the "video" key to stop the video and automatically save it to the TF card, with the format of H.264.
7. inversion: image vertical flip; flip: image horizontal flip.
- 8.50/60HZ: anti screen flicker.
- 9:reset: restore the factory setting.



1. crosshairs can be choose "show" or "hide".
2. crosshairs can choose color.
3. reset line: restore factory setting.
4. center line: displays a set of crosshairs, located at the center.
5. save: Save settings.



1. you can change and save the time after the change.
2. you can choose the language of the menu.
3. you can see the version information.

Technical Specifications

| | |
|--------------------------|----------------------------|
| Sensor type | Colour CMOS |
| Pixel | 8M pixels |
| Pixel size | 1/2.8" |
| Menu | Full digital UI design |
| Method of Operation | Self-contained key control |
| Power | DC12V, Power over Ethernet |
| Output method | HDMI, USB3.0, Ethernet |
| Display Frame rate | 4K@60fps |
| Scanning method | Line by line scanning |
| White Balance | Auto / Manual |
| Exposure | Auto / Manual |
| Electronic Shutter Speed | 1/50s(1/60s)~1/10000s |
| Optical magnification | 1~28 |
| Working distance | 10cm ~ ∞ |
| Digital magnification | 1~6 |
| Digital zoom | Support |
| Storage function | USB stick, camera, PC |

| (Zoom ration) | FOV (10cm Working Distance) | FOV (30cm Working Distance) |
|---------------|--------------------------------|--------------------------------|
| 1X | 171mm*92mm | 420mm*230mm |
| 2X | 89mm*50mm | 196mm*110mm |
| 3X | 71mm*40mm | 150mm*84mm |
| 5X | 52mm*29mm | 101mm*57mm |
| 14X | 24.3mm*13.5mm | 45.5mm*25mm |
| 28X | 12.2mm*6.8mm | 22.8mm*12.5mm |

Precautions

1. please connect the mouse first before the device is on power.
2. in the "AF" mode, the program determines that the image blur will be refocused again; switch to the "Click F" mode and perform a focus after an automatic focus operation. The image blur does not trigger the refocusing in this mode; MF can be adjusted when the "MF" function is used.
3. if you can't focus automatically on some special scenes, such as smooth surfaces, move the focus box to a detailed object, switch to "Click F" to perform an automatic focus operation, or switch to the "MF" mode by adjusting the MF for manual focus operation.
4. when you use the "AE" function, you can adjust the Bright (brightness range 0~100, default value 56); when using the "ME" function, you can adjust Gain.
5. click on the "Capture" button to capture the icon. The icon in the center of the screen is automatically saved to TF card, with the format of jpg.
6. click the "Video" key to video, the bottom right below the screen appears the Rec icon to start video, again click the "Video" key to stop the video, and automatically save to the TF card, format is H.264.
7. TF card does not support hot swap. After TF card

is inserted, it needs to be re powered. After completing the capture / video operation, it will take some time to remove TF card.